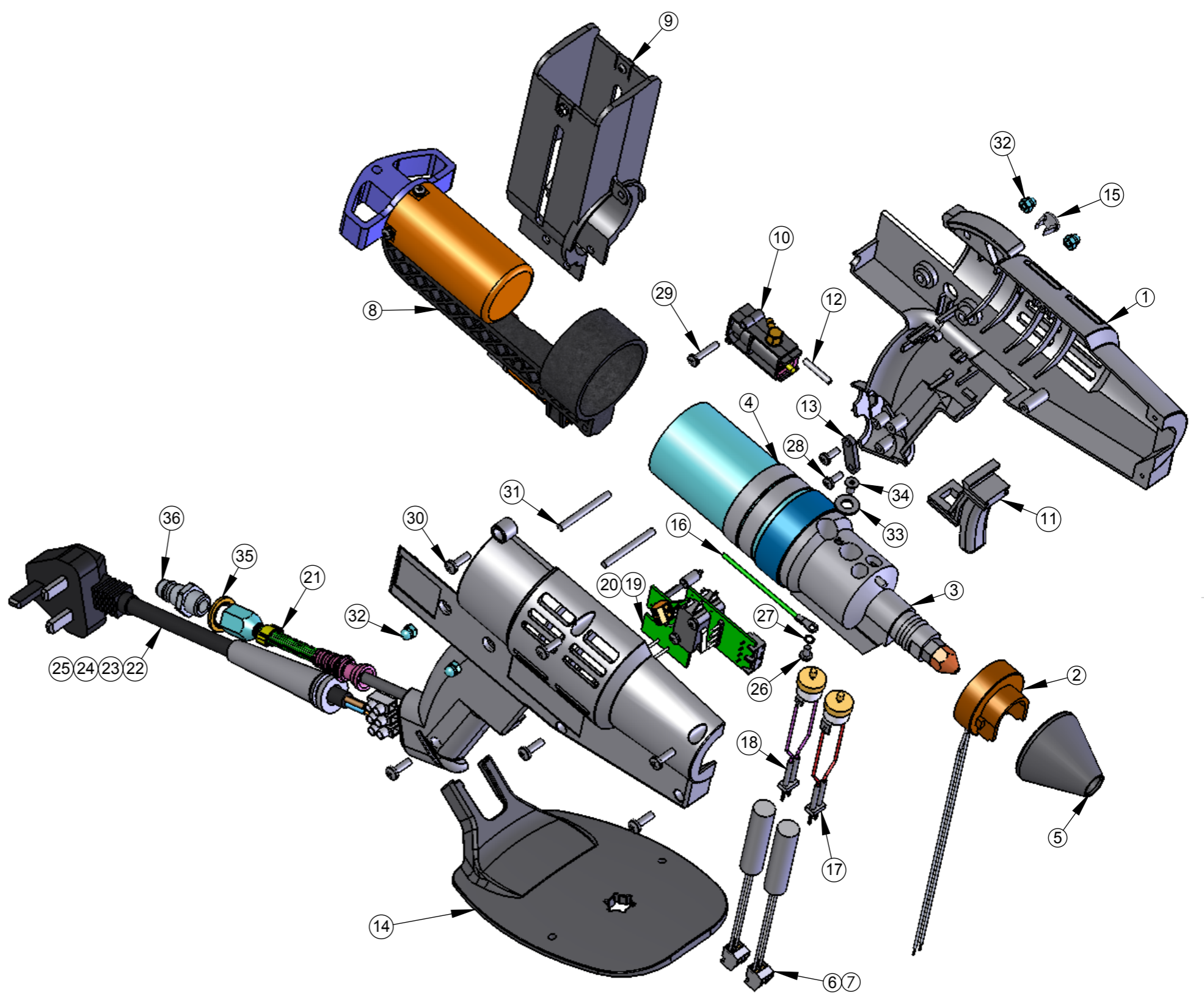


ITEM NO.	PART NUMBER	REVISION	DESCRIPTION	QTY
1	MDN002	REL-01	Modified Handle Mouldings	1
2	AED022	REL-01	Spacer/Thermal Fuse Assy. - 7000	1
3	ADD033	REL-01	Heater Housing Assy.	1
4	MDA013	REL-01	Barrel Support Ring	2
5	PA3041	REL-01	Nozzle Shroud	1
6	AED025	REL-01	Heater Assy. - 230V	2
7	AED039	REL-01	Heater Assy. - 120V	2
8	ADD032	REL-01	Piston Assy.	1
9	ADD031	REL-01	Speed Loader Assy.	1
10	AGD003	REL-01	6100 Trigger Valve Assy.	1
11	NDN001	REL-02	Trigger Moulding	1
12	PAP003	REL-01	Urethane Hose 50mm	1
13	NDN003	REL-01	Cord Clamp	1
14	NDN005	REL-02	Heavy Duty 6000 Stand	1
15	FZP001	REL-01	Clear Lens	1
16	PA4028	REL-01	Earth Wire Assy.	1
17	AED024	REL-01	Thermostat Assy. 204C	1
18	AED035	REL-01	Thermostat Assy. 195C	1
19	AED026	REL-01	PCB Assy 230V - 7000	1
20	AED040	REL-01	PCB Assy 120V - 7000	1
21	AGD028	REL-01	Airline Assy. - 3m	1
22	AJR019	REL-01	UK Cordset Assy. 3 Core 3m	1
23	AJR020	REL-01	Euro Cordset Assy. 3 Core 3m	1
24	AJR021	REL-01	USA Cordset Assy. 3 Core 3m	1
25	AJR022	REL-01	110V Cordset Assy. 3 Core 3m	1
26	PA1032		Screw 4BA x 1/4" Pozi Pan	1
27	PA1042		Washer 4BA Spring	1
28	HSZ049		Screw #6 x 3/8" Pozi Pan	2
29	HSZ060		Screw #6 x 3/4" Pozi Pan	1
30	PA3045		Screw 4 x 12mm Plastite Pozi Pan	6
31	FDC002	REL-01	M4 x 40 Studding	2
32	FKZ006		M4 Dome Nut	4
33	HWZ009		Washer M6	1
34	FWC001		Screw M4 x 10 SKT/CSK	1
35	HWZ030	REL-01	1/4" BSP Washer	1
36	BGB014	REL-01	1/4" Airline Adaptor	1



THIS DRAWING AND THE INFORMATION IT CONTAINS IS THE PROPERTY OF POWER ADHESIVES AND IS CONFIDENTIAL. IT MUST NOT BE REPRODUCED EITHER WHOLLY OR IN PART. ALL RIGHTS IN RESPECT OF PATENTS, DESIGNS AND COPYRIGHTS ARE RESERVED.

MATERIAL	N/A	DRAWN	SteveE
FINISH	N/A	DATE	
COLOUR	N/A	ECN No.	

NOTES  
From S/N 10322 -

DIMENSIONS ARE IN MM UNLESS OTHERWISE STATED	TOLERANCES UNLESS OTHERWISE STATED	SCALE	1:2.6
THIRD ANGLE	WHOLE NUMBERS ±0.5mm 1 DECIMAL PLACE ±0.3mm 2 DECIMAL PLACE ±0.1mm	SHEET	1 OF 1
TITLE		Tec 7100	
DWG. No.	A3	Tec 7100	REVISION REL-01