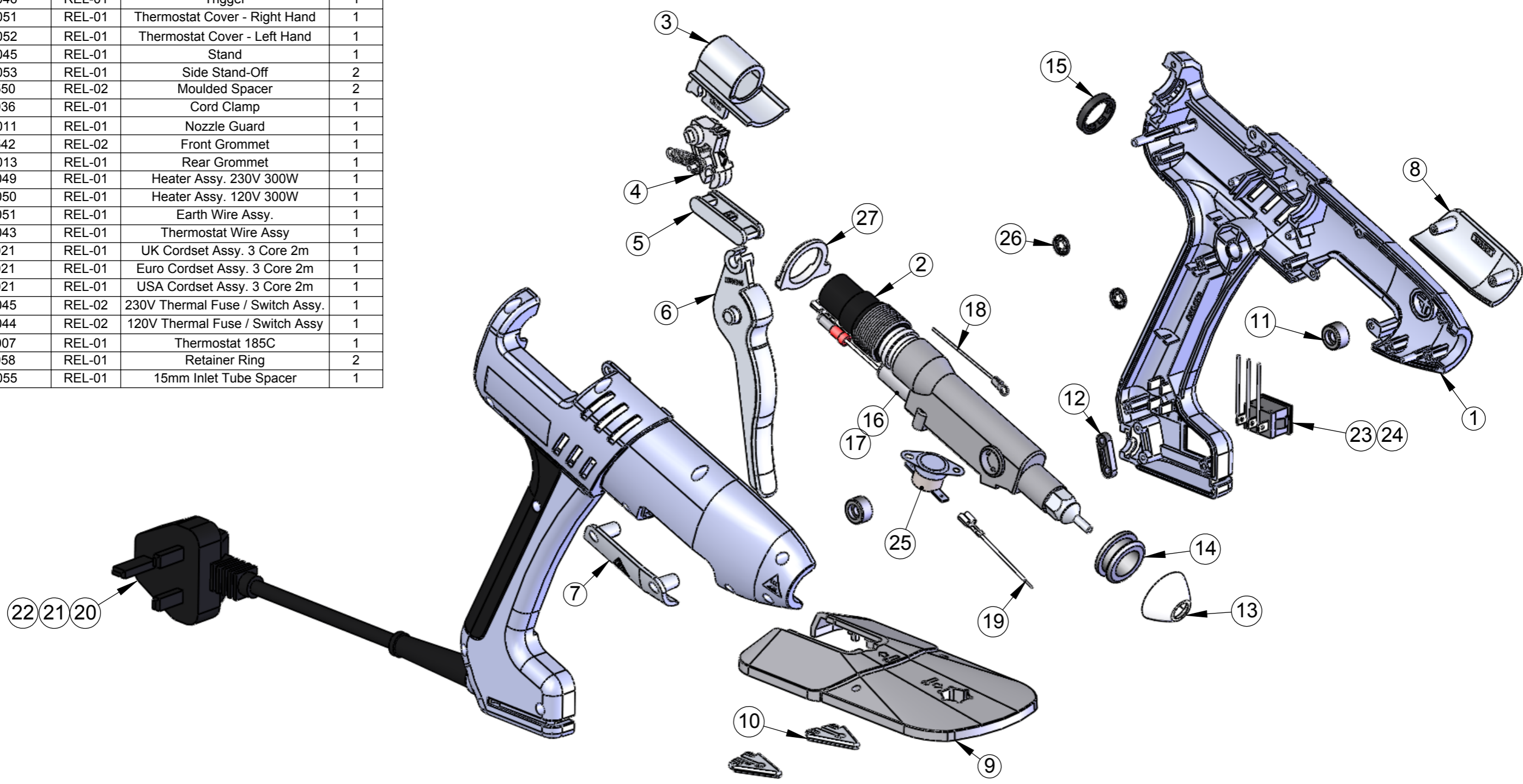


| ITEM NO. | PART NUMBER | REVISION | DESCRIPTION | QTY |
|----------|---------------|----------|----------------------------------|-----|
| 1 | NDN043-44-Set | REL-01 | Tec 800 Series Handle Assy | 1 |
| 2 | ADD042 | REL-02 | 15mm Heater Housing Assy. | 1 |
| 3 | NDN050 | REL-02 | 15mm Glue Carrier | 1 |
| 4 | ADD049 | REL-02 | Metal Feed Cam / Spring Assy | 1 |
| 5 | NDN047 | REL-01 | Trigger Link | 1 |
| 6 | NDN046 | REL-01 | Trigger | 1 |
| 7 | NDN051 | REL-01 | Thermostat Cover - Right Hand | 1 |
| 8 | NDN052 | REL-01 | Thermostat Cover - Left Hand | 1 |
| 9 | NDN045 | REL-01 | Stand | 1 |
| 10 | NDN053 | REL-01 | Side Stand-Off | 2 |
| 11 | PA1550 | REL-02 | Moulded Spacer | 2 |
| 12 | PA3036 | REL-01 | Cord Clamp | 1 |
| 13 | NDR011 | REL-01 | Nozzle Guard | 1 |
| 14 | PA1542 | REL-02 | Front Grommet | 1 |
| 15 | NDR013 | REL-01 | Rear Grommet | 1 |
| 16 | AED049 | REL-01 | Heater Assy. 230V 300W | 1 |
| 17 | AED050 | REL-01 | Heater Assy. 120V 300W | 1 |
| 18 | AED051 | REL-01 | Earth Wire Assy. | 1 |
| 19 | AED043 | REL-01 | Thermostat Wire Assy | 1 |
| 20 | PA4021 | REL-01 | UK Cordset Assy. 3 Core 2m | 1 |
| 21 | PA6021 | REL-01 | Euro Cordset Assy. 3 Core 2m | 1 |
| 22 | PA8021 | REL-01 | USA Cordset Assy. 3 Core 2m | 1 |
| 23 | AED045 | REL-02 | 230V Thermal Fuse / Switch Assy. | 1 |
| 24 | AED044 | REL-02 | 120V Thermal Fuse / Switch Assy | 1 |
| 25 | EBX007 | REL-01 | Thermostat 185C | 1 |
| 26 | PA1058 | REL-01 | Retainer Ring | 2 |
| 27 | NDN055 | REL-01 | 15mm Inlet Tube Spacer | 1 |



THIS DRAWING AND THE INFORMATION IT CONTAINS IS THE PROPERTY OF POWER ADHESIVES AND IS CONFIDENTIAL. IT MUST NOT BE REPRODUCED EITHER WHOLLY OR IN PART. ALL RIGHTS IN RESPECT OF PATENTS, DESIGNS AND COPYRIGHTS ARE RESERVED.

| | | | |
|----------|-----|---------|----------|
| MATERIAL | N/A | DRAWN | SteveE |
| FINISH | N/A | DATE | 10/05/07 |
| COLOUR | N/A | ECR No. | 00026 |

NOTES
From S/N 14518 -

| | | | |
|--|--|-------|--------|
| DIMENSIONS ARE IN MM UNLESS OTHERWISE STATED | TOLERANCES UNLESS OTHERWISE STATED | SCALE | 1:2 |
| THIRD ANGLE | WHOLE NUMBERS ±0.5mm 1 DECIMAL PLACE ±0.3mm 2 DECIMAL PLACE ±0.1mm | SHEET | 1 OF 1 |

| | | |
|----------|------------|----------|
| TITLE | Tec 810-15 | |
| DWG. No. | Tec 810-15 | REVISION |
| A3 | | REL-04 |