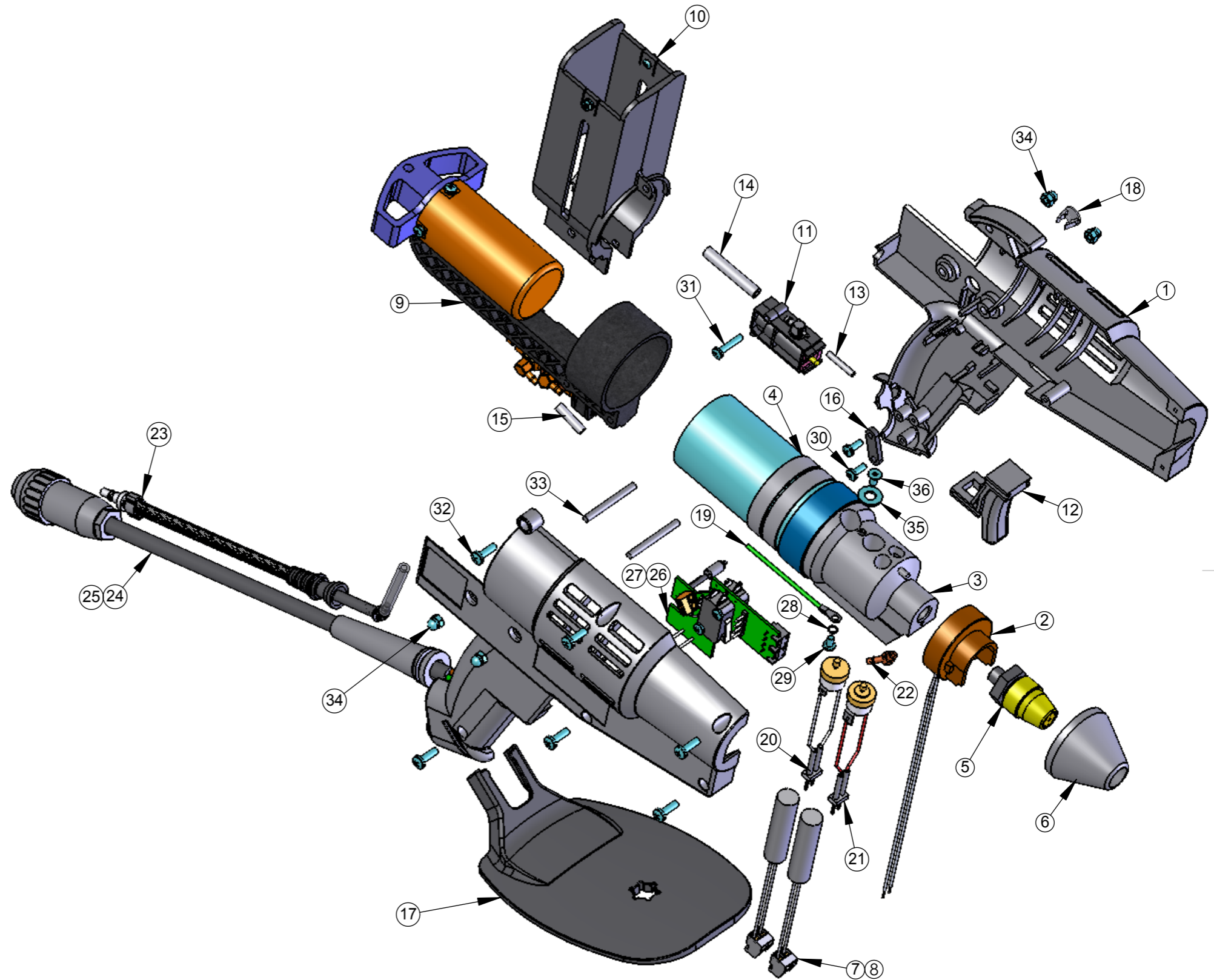


| ITEM NO. | PART NUMBER | REVISION | DESCRIPTION | QTY |
|----------|-------------|----------|-----------------------------------|-----|
| 1 | MDN002 | REL-01 | Modified Handle Mouldings | 1 |
| 2 | AED022 | REL-01 | Spacer/Thermal Fuse Assy. - 7000 | 1 |
| 3 | ADD007 | REL-02 | Heater Housing Assy. | 1 |
| 4 | MDA013 | REL-01 | Barrel Support Ring | 2 |
| 5 | PA6060 | REL-02 | Std. Spray Nozzle Assy - 2mm | 1 |
| 6 | NDR001 | REL-03 | Nozzle Shroud | 1 |
| 7 | AED025 | REL-01 | Heater Assy. - 230V | 2 |
| 8 | AED039 | REL-01 | Heater Assy. - 120V | 2 |
| 9 | ADD009 | REL-01 | Piston Assy. | 1 |
| 10 | ADD031 | REL-01 | Speed Loader Assy. | 1 |
| 11 | AGD006 | REL-01 | 6300 Trigger Valve Assy. | 1 |
| 12 | NDN001 | REL-01 | Trigger Moulding | 1 |
| 13 | PAP003 | REL-01 | Urethane Hose 50mm | 1 |
| 14 | PAP004 | REL-01 | Urethane Hose 75mm | 1 |
| 15 | PAP005 | REL-01 | PTFE Hose 200mm | 1 |
| 16 | NDN003 | REL-01 | Cord Clamp | 1 |
| 17 | NDN005 | REL-01 | Heavy Duty 6000 Stand | 1 |
| 18 | FZP001 | REL-01 | Clear Lens | 1 |
| 19 | PA4028 | REL-01 | Earth Wire Assy. | 1 |
| 20 | AED023 | REL-01 | Thermostat Assy. 180C | 1 |
| 21 | AED024 | REL-01 | Thermostat Assy. 204C | 1 |
| 22 | BGB015 | REL-01 | 45 deg. Fitting | 1 |
| 23 | AGD007 | REL-01 | Airline Assy | 1 |
| 24 | AJR012 | REL-01 | 230V Cordset Assy. | 1 |
| 25 | AJR013 | REL-01 | 110V Cordset Assy. | 1 |
| 26 | AED026 | REL-01 | PCB Assy 230V - 7000 | 1 |
| 27 | AED040 | REL-01 | PCB Assy 120V - 7000 | 1 |
| 28 | PA1042 | | 4BA Spring Washer | 1 |
| 29 | PA1032 | | Screw 4BA x 1/4" Pozi Pan | 1 |
| 30 | HSZ049 | | 3.5 x 10mm Screw | 2 |
| 31 | HSZ060 | | Screw 3.5 x 19 Pozi Pan | 1 |
| 32 | PA3045 | | 4 x 12mm Pan Head Screw | 6 |
| 33 | FDC002 | REL-01 | M4 x 40 Studding | 2 |
| 34 | FKZ006 | | M4 Dome Nut | 4 |
| 35 | HWZ009 | | 6mm Steel Washer | 1 |
| 36 | FWC001 | | M4 x 10 Counter Sunk Socket Screw | 1 |



THIS DRAWING AND THE INFORMATION IT CONTAINS IS THE PROPERTY OF POWER ADHESIVES AND IS CONFIDENTIAL. IT MUST NOT BE REPRODUCED EITHER WHOLLY OR IN PART. ALL RIGHTS IN RESPECT OF PATENTS, DESIGNS AND COPYRIGHTS ARE RESERVED.

| | | | |
|----------|-----|---------|--------|
| MATERIAL | N/A | DRAWN | SteveE |
| FINISH | N/A | DATE | |
| COLOUR | N/A | ECN No. | |

NOTES

| | | | |
|--|--|-------|--------|
| DIMENSIONS ARE IN MM UNLESS OTHERWISE STATED | TOLERANCES UNLESS OTHERWISE STATED | SCALE | 1:2.6 |
| THIRD ANGLE | WHOLE NUMBERS ±0.5mm 1 DECIMAL PLACE ±0.3mm 2 DECIMAL PLACE ±0.1mm | SHEET | 1 OF 1 |

| | | |
|----------|----------|----------|
| TITLE | Tec 7300 | |
| DWG. No. | Tec 7300 | REVISION |
| A3 | | REL-01 |